

This manual records the various models of the Aga Cooker, Auxiliary Ovens and Agamatic Boilers supplied over a period of nearly 70 years. It is hoped that it will serve as a useful reference guide.

First Print	1964
Reprinted January	1977
70th Anniversary	
Edition February	1999

Contents

	<i>page</i>		<i>page</i>
AGA. A Potted History	4	Model Four Agamatic Boiler 1958-1963	23
Swedish Mark 1 Cooker 1929-1930	5	Heavy Duty Cooker Model J.30 1941-1960	24
Swedish Mark 2 Cooker 1930-1932	6	Heavy Duty Boiling Unit Model J.10 1941-1960	25
Model D. Cooker 1932-1934	7	Heavy Duty J. Series Auxiliary Ovens 1941-1960	25
Model D. Cooker 1934-1941	8	Heavy Duty - Domestic Cooker Model J.30/E 1953-1960	26
Model B. Cooker 1935	9	De Luxe Aga and Agamatic	27
Model C. Cooker 1936-1941	9	De Luxe Model C & CB Cookers	28
Hot Cupboards	10	De Luxe Model E. Cooker	28
15" Hot Cupboard	10	De Luxe Agamatic Boiler Model C	29
21" Hot Cupboard	10	Aga Heavy Duty Cooker 1956-1971	29
18" Hot Cupboard	11	Heavy Duty Cooker Hot Cupboard 1957-1971	30
Overhead Hot Cupboard	11	Agathermic Cooker 1958-1967	31
Coil Water Heater 1933-1941	12	Aga Oil Fired Heavy Duty Cooker 1959-1966	32
Model F. Cooker 1936-1941	13	Model OB Cooker 1964-1973	33
Automatic Boiler (AB) Mark 1 1936-1941	13	Model OC & OCB Cookers	34
Open Fire Boiler (OFB) No.1 1936-1941	14	Model OE Cooker	34
Heavy Duty Cooker Model H.30 1936-1941	14	Agamatic CK65 Boiler 1967-1968	35
Heavy Duty Boiling Unit Model H.10 1936-1941	15	Model GC and GCB Cookers (Open Flue)	36
Heavy Duty H. Series Auxiliary Ovens	15	Model GE and GEB Cookers (Open Flue)	36
Standardised AGA Cookers	16	Model GC, GCB, GE and GEB (Balanced Flue)	37
Standard Model C. Cooker 1941-1972	17	Agamatic G55/65 Boiler 1968-1996	38
Standard Model E. Cooker 1941-1972	18	Agamatic OF60 Boiler	39
Standard Model CB. Cooker 1946-1972	19	Model EL2 Cooker 1975-1977	40
30 Gallon Side Tank 1950-1962	20	Agamatic P60 Boiler	41
Automatic Boiler (AB) Mark 2 1941-1949	20	Model AEC2 and AEC4	42
Open Fire Boiler No. 3 1946-1961	21	Premier Boiler 1994-1996	43
Agamatic Boiler Model C 1949-1972	21	Model GC, GCB and Ge (Power Flue)	44
Agamatic Boiler Freestanding Model 1951-1963	22	Hob Option	45
Agamatic Boiler Model 25/40 1953-1963	22	Module and Companion - Electric Hob	46
Agamatic 30/80 Boiler 1955-1963	23	Module and Companion - Gas Hob	46
		Styling Variants and Options (All Cookers)	47

AGA, A POTTED HISTORY

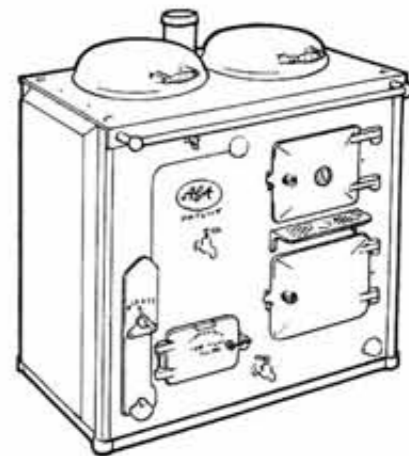
- 1922** Invention and patent by Dr Gustav Dalen, a Swedish physicist and Nobel Prize winner, made and marketed by Svenska Aktiebolaget Gas Accumulator, a company in which Dalen had been Managing Director.
- 1929** The Aga was imported into the UK by Bell's Asbestos & Engineering Supplies Limited. Formation of Allied Ironfounders Ltd.
- 1932** The Aga was manufactured by Bell's Heat Appliances Ltd of Slough, who were associated with Bell's Asbestos & Engineering Supplies Ltd. (It was at Smethwick until 1957).
- 1941** All existing cooker models, both domestic and heavy duty, were withdrawn and replaced by a range of units with standardised parts. The 'Aga Standard' was in production until 1972.
- 1947** The Manufacturing Unit opened at Ketley, Telford for further production capacity. The De Luxe models were introduced featuring chrome lids, styled top plate and raised splash back.
- 1956** Pale blue, pale green, grey and white were offered as well as the cream, with black as an additional top plate colour.
- 1961** The Aga was supplied with black top plates only.
- 1964** The Oil Fired Aga was introduced, at first the OCB90. These models were the same styling as the Solid Fuel De Luxe models.
- 1968** The Gas Fired Aga was introduced. Red, dark blue, dark green, yellow and black were offered as additional colours.

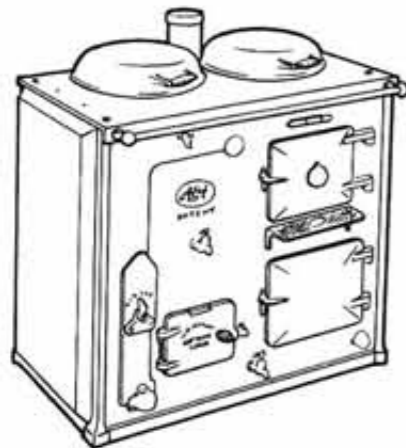
- 1971** Yellow and pale green withdrawn. Introduction of OCB135.
- 1975** Grey, pale blue and black withdrawn. EL2 model, Electric Aga, introduced in a new styling - not of cast iron.
- 1978** Black, for fronts, introduced.
- 1985** Launch of the new Electric Aga, cast iron, 2 oven.
- 1987** The 4 oven Electric Aga was introduced.
- 1991** Jade was introduced as a new Aga colour.
- 1992** Claret and Emerald colours, introduced, brown withdrawn.
- 1996** Jan: Electric Module launched, fitted to the LHS of any fuelled Aga. A conventional electric cooker in Aga style - vitreous enamelled cast iron front.
Sept: British racing green and pewter introduced, (dark green now becomes hunter green). Red and emerald withdrawn, second notice of the withdrawal of brown.
Oct: Aga Companion launched.
- 1997** August: Golden Yellow and Royal Blue introduced. Now 13 colours, 8 in the standard range and 5 in the Select Range. Electric hotplate option for the 4 oven Aga.
- 1998** March: Introduction of gas hotplate option for Module and the Companion.
June: Red deleted from Select colour range.

Swedish Mark 1 Cooker 1929-1930

Distinguishing features:-

- Long tank neck.
- Knob rail brackets.
- No heat gauge above roasting oven.
- Trade Mark and lettering in blue enamel.
- The word "Patent" below the Trade Mark.
- Coil oven door and ashpit door handles.
- High position of bottom oven.
- Volute ashpit door clamp.
- Cream vitreous enamelled base plate flush with front plate.





Swedish Mark 2 Cooker 1930-1932

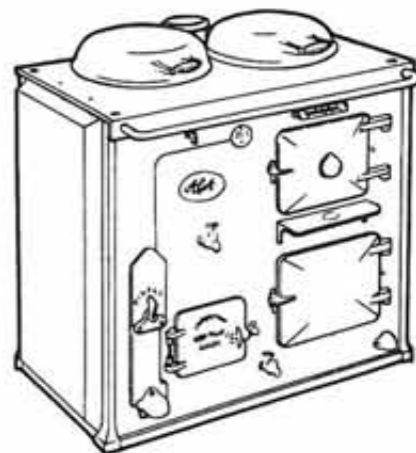
This model was imported from Sweden from 1930 to 1932 and while similar in many respects to the Mark I, it was distinguished from it by:-

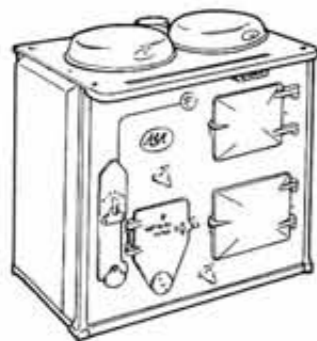
- The slightly larger top oven.
- The lower position of the bottom oven the bottom edge of which was now in line with the bottom edge of the ashpit door.
- The black edges to the base plate.
- The bottom edge of the front plate was bevelled flush with the front edge of the base plate.
- The Trade Mark and the word "patent" were in chocolate brown enamel.
- The coil handle was retained on the ashpit door but the oven doors now had the familiar lug type handles cast in one with the doors.
- The ashpit door clamp was replaced by the now familiar ball catch.
- A red and cream "signal" ball took the place of the thermometer in the top oven door (this "signal" ball may also have since been replaced by a circular plaque).
- The heat gauge, calibrated in degrees, above the top oven door (may since have been replaced with one of the modern type).

Model D Cooker 1932-1934

Known as the long barrel Model D (or LBD) this Aga was made in Great Britain between 1932 and 1934. It is similar to the Swedish Mark II cooker except that:-

- The word "patent" was omitted from below the Trade Mark.
- The grille-pattern trivet was replaced by a plain one.
- The chromium plated T-shaped ashpit door handle replaced the coil handle.
- The front rail was made in one piece, with no brackets.
- The short tank neck (may since have been removed).





Model D Cooker 1934-1941

In March 1934, the Aga cooker was redesigned and the length of the inner barrel, and, in fact, the whole fire unit, was shortened. Originally known as the "De Luxe" model and later as Model 62 (since it cost £62) it eventually became known as Model SBD (short barrel D) to distinguish it from its predecessors all of which, both Swedish and English were generally referred to henceforth as LBD (long barrel D), it was distinguished from other earlier models by:-

- The heightened position of the ashpit door which was reshaped to cover the auxiliary air inlet. (This auxiliary air inlet on LB cookers was positioned at the bottom right-hand corner of the front plate). On some of the earlier SBD models a spin-wheel control was fitted to the auxiliary air inlet whereas in later models this control was omitted. The ashpit door had an additional hole, near the top, through which the grate could be riddled. The method however, was not entirely satisfactory and instructions were later issued for this hole to be plugged.
- The chromium plated front rail was dispensed with and the top plate was extended forwards to take its place.

Model B Cooker 1935

For a short while a single-oven Aga cooker was produced and it was originally known as Model 35 (It cost £35) and later as Model B. Only a very few were made and apart from noting the fact that it had a single oven and stood on legs no further comment is necessary.

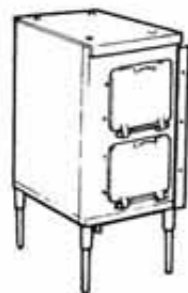


Model C Cooker 1936-1941

Introduced as the "New Standard" in 1936, this model later became known as Model 47/10 (It cost £47 10s 0d at the time) and then as Model C. It was the first plain Aga cooker with no tank. Recognition points include:-

- Above top plate flue outlet (on all previous models the flue outlet has been at the back). Two types of flue chamber were available for vertical connection.
- The omission of a front rail.
- The omission of a tank.
- Cream vitreous enamelled cast iron lids.
- Early editions had a grilled air inlet on the bottom thermostat cover plate whereas later editions reverted to the SBD type.
- The overall dimensions, particularly the back to front measurement of 2' 1", were decreased by comparison with all other models.



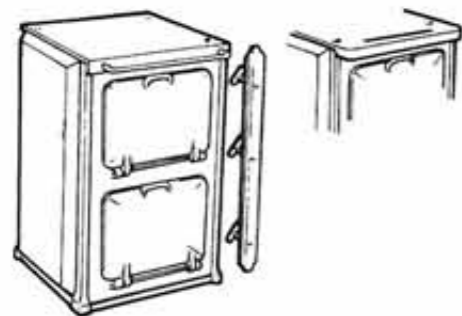


Hot Cupboards

With the exception of the Model B, all Aga cookers had two ovens but various hot cupboards, or auxiliary ovens, were available. The addition of auxiliary ovens was denoted by putting the letter O after the model designation, thus - Model LBDO, Model SBDO and Model CO, while the overhead unit was referred to as OH/HC.

15" Hot Cupboard

consisted of two ovens with doors hinged at the bottom, and a flat chromium plated strip covered the joint between the hot cupboard and the cooker. For attachment to Model LBD only.



21" Hot Cupboard

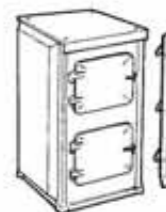
also consisted of two ovens with doors hinged at the bottom, and a bevelled plated cover strip. This hot cupboard could be attached either to Model LBD or SBD and different top plates were available.

18" Hot Cupboard

consisted of two ovens with doors hinged on the left and a vitreous enamelled cast iron cover strip. For attachment to Model C only.

Overhead Hot Cupboard

consisted of two compartments suspended on angle-iron brackets over the cooker. It was heated by the water in the tank which was conveyed through pipes to a heating element in the hot cupboard itself. For attachment to Model LB or SB cookers.





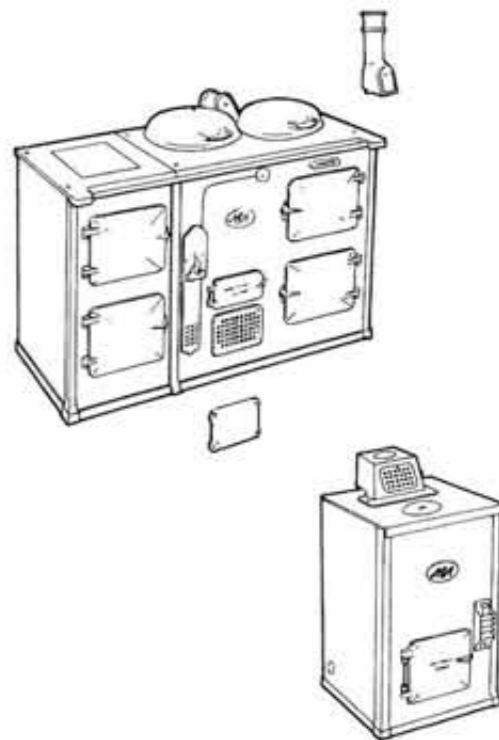
Coil Water Heater 1933-1941

The Coil Water Heater consisted of an insulated cylinder, stove enamelled cream on the outside. There were two sizes, one of 18 gallons and one of 26 gallons capacity. A heater coil attached to the Aga fire unit was connected to a condenser coil inside the cylinder by two small bore Monel metal tubes. A third tube conveyed distilled water from a small reservoir to this inner heating circuit. For attachment to Models LBD, SBD and C.

Model F Cooker 1936-1941

Originally known as Model 82 (it cost £82 at the time), but more generally referred to as Model F, this was the first four-oven Aga cooker. It was distinguished from the other, and later, four-oven cooker (Model E) by:-

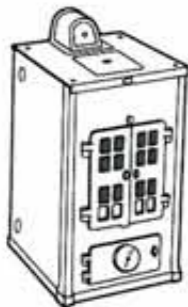
- The flue chamber, for which there were two types, one for horizontal and one for vertical connection.
- The small oblong ashpit door.
- The perforated lug-type ashpit door handle.
- The cover plate over a stabiliser in the auxiliary air inlet (in early editions this was grilled, whereas in later editions it was plain).
- The front rail which was held in extensions to the top plate.



Automatic Boiler (AB) Mark 1 1936-1941

Available in two sizes to line up with Model C or Model F the first Automatic Boiler could be recognised by the following features:-

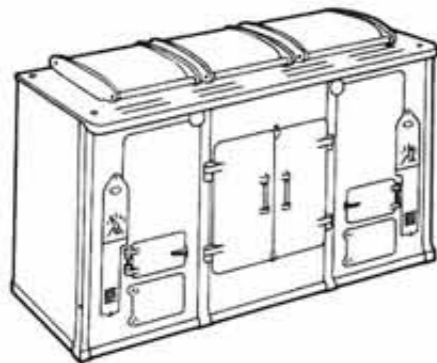
- The flue chamber which incorporated a stabiliser (in early editions this was fitted at the back of the flue chamber whereas in later editions it was fitted in the flue chamber door).
- The louvered air inlet to the right of the ashpit door.
- The perforated lug-type ashpit door handle.
- The bevelled overlap on the bottom edge of the front plate.



Open Fire Boiler (OFB) No.1 1936-1941

Available in two sizes to line up with Model C or Model F the original Open Fire Boiler was distinguishable from the later Model No. 3 by:-

- The flue chamber of which there were two types, one for horizontal and one for vertical connections. These were similar in design to the Cooker Models C and F flue chambers except that they were in nickel steel and not enamelled.
- The square fuelling plug.
- The nickel steel top plate.
- The bevelled overlap strip on the bottom edge of the front plate.



Heavy Duty Cooker Model H30 1936-1941

The Model H30, originally known as Model 98, was rather smaller than the later J30. It could be recognised by:

- The double oven doors.
- The small oblong ashpit door.
- The stabilizer housings over the auxiliary air inlets below the ashpit doors.
- The stainless steel lids with black vitreous enamelled sides.

Heavy Duty Boiling Unit Model H10 1936-1941

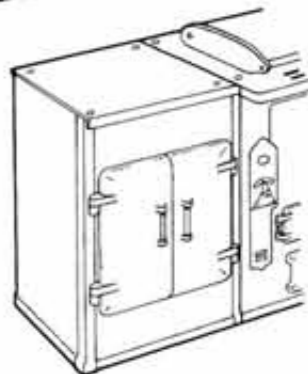
The Model H10 originally known as Model 25 could be recognised by:-

- The same design lid as on the H30.
- The same design top plate as on the H30.
- The auxiliary air inlet cover and stabiliser below the ashpit door.
- The bevelled overlap on the bottom edge of the front plate.

Heavy Duty H Series Auxiliary Ovens

These ovens were distinguished from the later J Series auxiliary ovens by:-

- The double oven doors.
 - The absence of a front rail.
 - The bevelled overlap on the bottom edge of the front plate
- The H20 was a simmering oven when attached to an H10.
The H40 was the same simmering oven when attached to an H30.
The H80 was a baking oven when attached to H30 only.



Standardised Aga Cookers

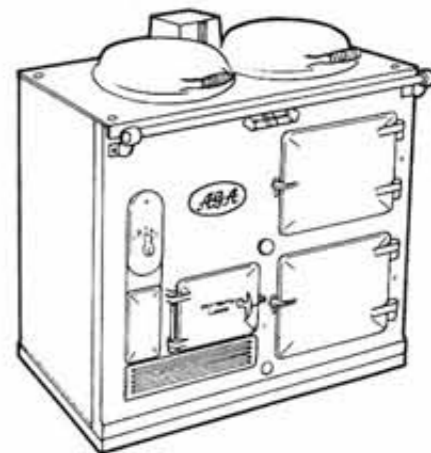
In 1941, all existing cooker models, both domestic and heavy duty were withdrawn and in their place a range of units was introduced with standardised parts which were, to a large extent, interchangeable between the various models, and uniformity in styling was achieved.

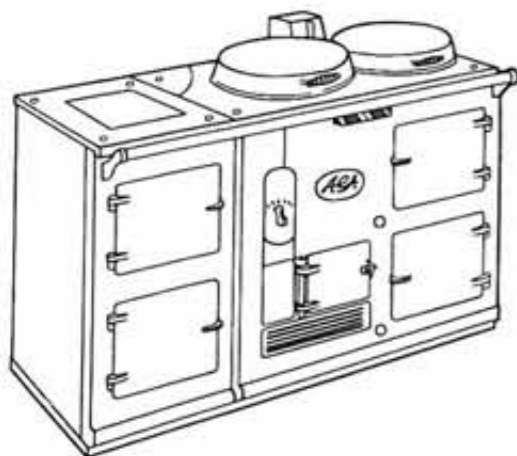
The standard models C and E could be fitted with a 6 gallon water tank as an alternative, and front and top plates could be supplied plain where no tank was required, or with provision for the tank neck at the back left-hand corner of the top plate, and with the front plate drilled for the draw-off and drain-off taps.

Standard Model C Cooker 1941-1972

The standardised Model C is recognisable from its predecessor (which was normally referred to as Model 47/10) by the following main details:-

- The restyled front plate and thermostat cover plates.
- The oblong grill over the auxiliary air inlet.
- The recessed front edge of the base plate.
- Both top and bottom oven doors of the same size.
- The heat gauge placed centrally in the front plate (instead of over the top oven door).
- The front rail in the early editions of the standardised models the front rail brackets were bolted to the top plate, whereas in later editions they have been modified to screw on the front plate).
- The square flue chamber which is adaptable for horizontal or vertical connection (in early editions this flue chamber was bolted on to the top plate, whereas it is now bolted to the flue manifold and a cut-out is left in the top plate to fit round it).





Standard Model E Cooker 1941-1972

The Model E can be recognised by the same features which distinguish the standardised Model C from Model 47/10. In addition Model E has chromium plated lid domes in black vitreous enamel frames, though vitreous enamelled cast iron lids had to be resorted to for a time due to wartime and post war shortages.

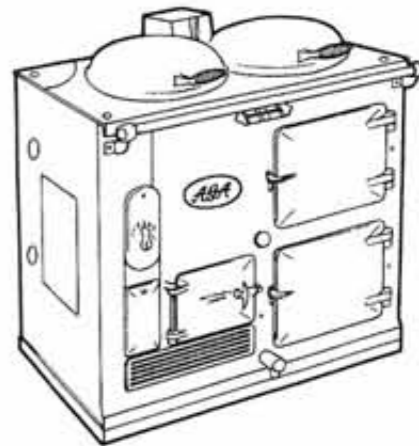
In external appearance Model E was exactly the same as Model C with two left-hand ovens of which, as already mentioned, a few were installed soon after the standardised Aga was introduced. Model E can easily be recognised, however, by the two convection slots in the left-hand panel of the bottom right-hand (baking oven).

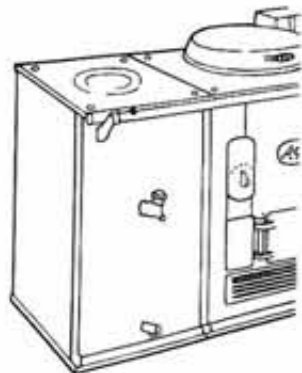
Standard Model CB Cooker 1946-1972

In 1946, a water heater was introduced which could be fitted into Model C, making it into Model CB. The external appearance remained the same except for the normal additions of:-

- The drain cock in the front plate at bottom centre.
- The flow and return pipes.
- The inspection panel in the left hand side plate.

In some cases it was possible to make the flow and return connections through the back plate. If, in such cases, a drain cock was fitted in the return pipe instead of through the front plate and a plain left hand side plate was used, there would be no external differences at all between Model C and Model CB. Disregarding the flow and return pipes the two models can then only be distinguished by the 8-barred grate and 40mm simmering plate plug in Model C compared with the 7-barred grate and 33mm plug in Model CB.





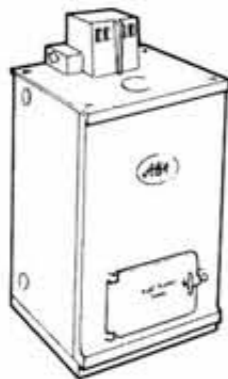
30 Gallon Side Tank 1950-1962

In 1950, a 30 gallon Side Tank was introduced for attachment to Model C. This provided an alternative for Model CB for those cases where no suitable hot water installation is available.

Automatic Boiler (AB) Mark 2. 1941-1949

This later edition of the Aga Automatic Boiler differed from the Mark 1 in the following details:-

- The flue chamber which was more rectangular and incorporated a stabiliser in the door.
- The thermostat box and damper control to the left of the flue chamber.
- The concealed ashpit door hinges (on the left).
- The reversion to a T-shaped ashpit door handle.
- The recessed front edge to the base plate.



Open Fire Boiler Model No. 3 1946-1961

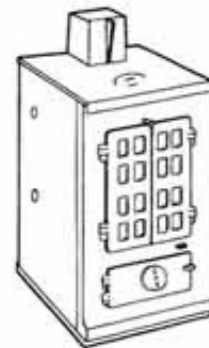
The No. 3 Open Fire Boiler introduced in 1946, differed from its predecessor in its styling, which was uniform with the standardised cookers, and in the following:-

- The black vitreous enamelled top plate of nickel steel.
- The black vitreous enamelled "square" flue chamber.
- The recessed front edge to the base plate.
- The external riddling device introduced in 1953.

Agamatic Boiler Model C 1949-1972

The Agamatic Model C is recognised by its styling which was uniform with the styling of the standardised Aga cookers. Points of difference compared with Aga Automatic boilers include:-

- The thermostat control panel similar to that used on standardised cookers.
- The ashpit door with concealed hinges on the right.
- The flue chamber with an adjustable spoil-draught plate behind the door.
- The front rail.
- External riddling incorporated in 1960.





Agamatic Boiler Freestanding Model 1951-1963

The freestanding Agamatic was first produced in 1951, and while, so far as performance is concerned, it was the same as the Model C, it was quite distinctive in styling. Higher than Agamatic Model C and with rounded contours it included a chromium plated control panel, a dial thermometer, a hinged fuelling lid and pedal operated ashpit door.

- External riddling incorporated 1960.



Agamatic Boiler Model 25/40 1953-1963

Introduced in 1953, the Agamatic Model 25/40 was again very distinctive in its styling and compact design. Only 2' 4" high it was the smallest Aga product made. Noteworthy features include:-

- The off-set in the plane of the front plate.
- The black enamelled ribbed fuelling lid.
- The circular recess in the top plate for the flue connection.
- The pedal operated ashpit door.

Agamatic 30/80 Boiler 1955-1963

Similar front plate assembly to the freestanding Agamatic, the 30/80 is distinguished by:-

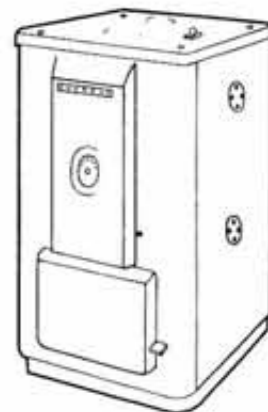
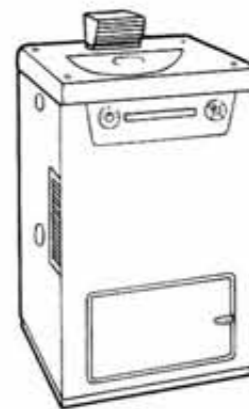
- Flat top plate.
- Damper control lever on top plate.
- Central thermostat control at front.
- Heavy ashpit door.
- External riddling incorporated 1960.

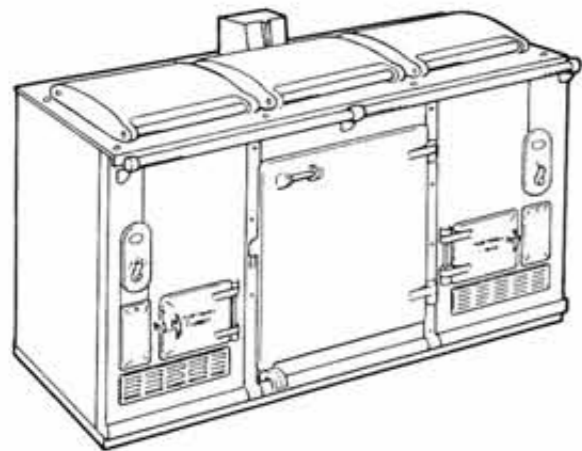
Model Four Agamatic Boiler 1958-1963

(Later known as the Agamatic SF)

The largest of the Agamatic boiler range. Can be recognised by:-

- D-shaped filler ring in top plate.
- Louvered panel in side plate.
- Central thermostat control at front.
- Control panel containing thermostat.

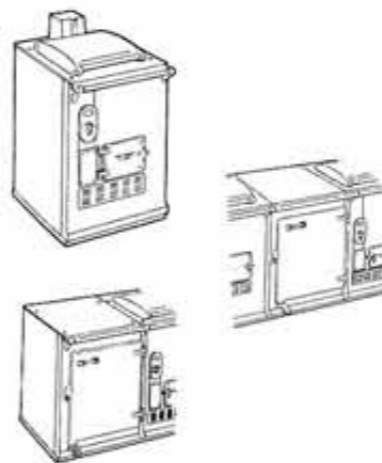




Heavy Duty Cooker Model J30 1941-1960

The J Series Heavy Duty Aga cookers can be distinguished from the earlier H Series by the restyled front plate parts which are uniform with the standardised domestic cookers, and by:-

- The large single (instead of double) oven doors with foot pedals.
- The "square" flue chamber which is adaptable for vertical or horizontal outlet.
- The front rail held in brackets.
- The lids were initially of vitreous enamelled cast iron but were latterly of cast aluminium.



Heavy Duty Boiling Unit J/10 1941-1960

Model J10 differed from the earlier H Series boiling unit in most of the points enumerated under the Model J30 Cooker.

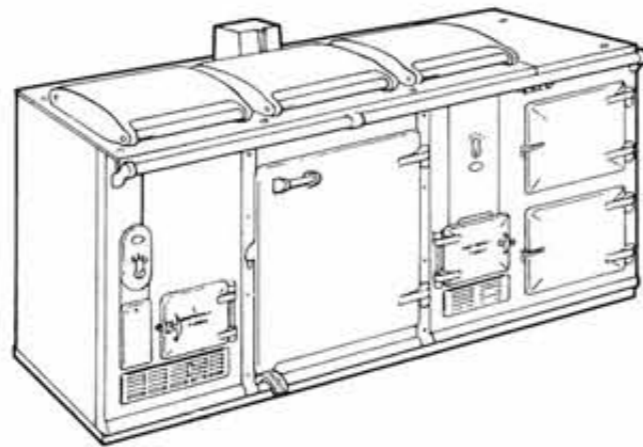
Heavy Duty J Series Auxillary Ovens 1941-1960

Once again the same points of distinction applied to these ovens as to the other units in the Heavy Duty range, the main recognition feature being the large single oven doors operated by foot pedals.

Heavy Duty Domestic Cooker Model J30/E 1953-1960

Designed to cater for establishments in which the cooking food fluctuated, the J30/E as its name implies was a combination of the Heavy Duty Model J30 and the domestic Model E. The unit was very similar in appearance to the J30, with the two right hand ovens (roasting and baking) from Model E attached to the right hand side.

As an alternative, this unit could be supplied with a domestic simmering oven in place of the domestic baking oven (it would then be referred to as Model J30/C) and an additional Heavy Duty Auxiliary oven, either a J40 or a J80, could be attached to the left hand side. The J30/E or J30/C could form part of a battery of J Series Heavy Duty Units with which it was uniform in dimensions.



After the standardised range of cookers had been in production for some years a re-designed outer casing, coupled with certain minor changes in internal assembly, was developed for the Aga cooker. First introduced in 1956, the new De Luxe cookers were primarily manufactured in cream vitreous enamel only, then were produced in four other colours:- pale blue, pale green, grey and white with black as an additional top plate colour. From October 1961, supplied with black top plates only. Red, dark blue, dark green, yellow and black offered as additional colours from March 1968. Yellow and pale green withdrawn 1971. Grey, pale blue and black withdrawn February 1975. Black reinstated 1978.

The De Luxe Agamatic boiler was developed with the same top plate style and front plate to match up with the cooker, and in the same colours.

De Luxe Aga & Agamatic Boilers

Other new colours	
Royal Blue	1997 -
Harvest Yellow	1997 -
Wedgewood Blue	1997 -
Claret	1992 -
Jade	1991 -
British Racing Green	1996 -
Emerald Green	1992 -
Hunter Green (Dark Green renamed)	1996 -
Pewter Grey	1996 -
Red	Withdrawn 1998
Brown	Withdrawn 1992



De Luxe Model C and CB Cookers 1956 - Present

Introduced in 1956, the De Luxe Models are recognised by the following points:

- The chrome plated lid domes.
- The styled top plate, sloped to take handrail.
- The raised splashback.
- Thermostat control at top left of front plate.
- Ashpit door covered by larger door similar to oven doors.
- Concealed flue chamber (under enamelled flue shroud).
- No conventional handrail brackets.
- Overlap on front plate over base plate.
- Concealed flue chamber (under enamelled flue shroud).
- Restyled flat top plate outer ashpit door with louvre, new handrail brackets and oven doors with asbestos rope seatings introduced May 1974. (Ceramic ropes 1980).



De Luxe Model E Cooker

Similar on all counts to the above models, with the addition of two left hand ovens.

- Supplied with separate LH and RH top plates and handrails from November 1976.

De Luxe Agamatic Boiler Model C 1956-1988

Introduced 1956. Matching up with the D/L cooker, the De-Luxe Model C boiler differs from the standard one in the following.

- Streamlined flue shroud assembly.
- Square filter plug.
- Pedal operated ashpit door opening opposite side to standard model.
- Thermostat control at top right of front plate.
- Louvered top plate with splashback.
- External riddling incorporated 1960.

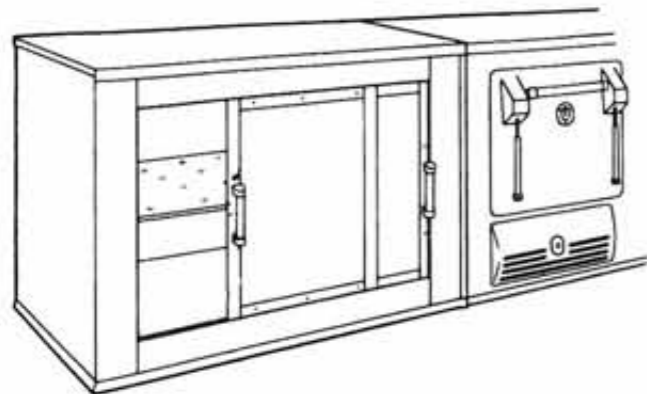


Aga Heavy Duty Cooker 1956-1971

This cooker was the third in the Heavy Duty Series following the H and J models. Recognisable from the H and J cookers by the following:

- Oven doors open downwards and have chrome legs.
- Two fire doors, one equipped with crank riddling gear.
- Thermostat at bottom left of LH front plate.
- Over heat gauges on both doors.
- Oven damper control at top right of RH front plate.





Heavy Duty Cooker Hot Cupboard 1957-1971

For fitting to one side only of the Heavy Duty Cooker. The only hot cupboard of its type made to fit an Aga cooker.

Can be easily recognised by:-

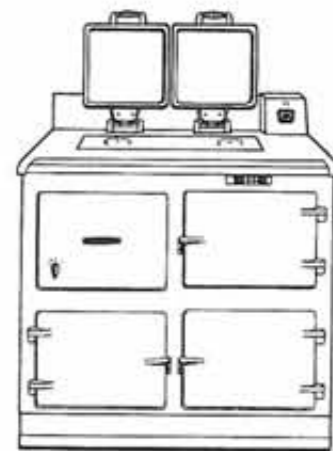
- Size 47 1/8" wide.
- Sliding front doors.

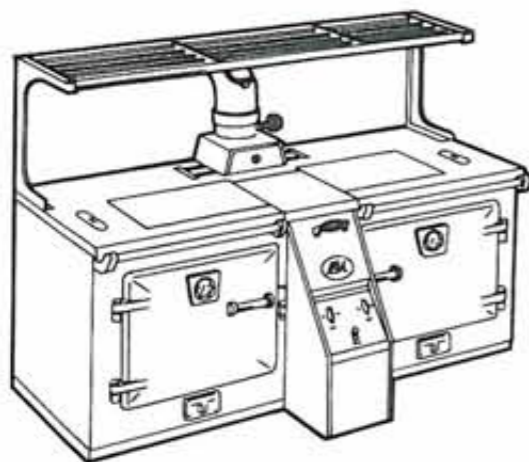
Agathermic Cooker 1958-1967

Introduced in July 1958, and made in five colours. From October 1961, supplied with black top plates only. It was smaller than the Standard and De Luxe Models and was controlled by a thermostat in the top oven.

Recognised by the following:-

- Nameplate in centre of front plate panel above ashpit door.
- Square cast iron enamelled insulating lids.
- Single rectangular hot plate.
- Flue chamber at back right hand corner of top plate.
Heat indicator with two lines in silver section between the black and the red.





Aga Oil Fired Heavy Duty Cooker 1959-1966

A double oven, insulated oil fired heavy duty cooker with hotplate over each oven.

- Overall dimensions 72" wide x 31 1/4" deep x 31" high.
- Ovens 22" wide x 23" deep x 18" high with thermometer in each door.
- Cream vitreous enamelled front plate with ground and polished top plate.
- Manually controlled fan assisted vapourising burner.
- Control panel for oil, air and fan mounted on burner enclosure on front plate.
- Early models fitted with overriding thermostat in flue nozzle with solenoid cut off valve between oil control valve and burner.
- Fuel - Gas Oil 34 secs or Kerosene 28 secs.

Model OB Cooker 1964-1973

The first Aga oil fired cooker.

Same size and appearance as the Agathermic cooker.

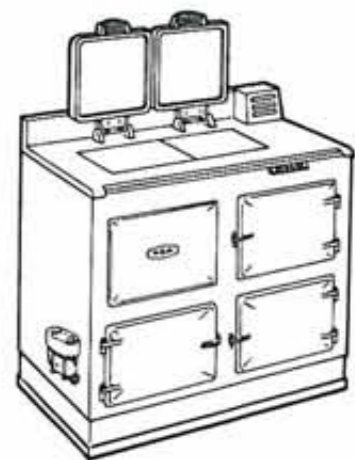
Rectangular hotplate in two removable sections.

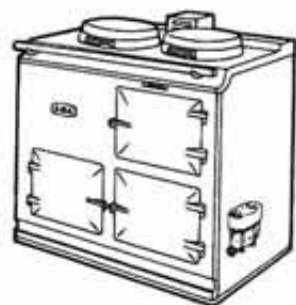
Fitted with 6" Don vapourising burner.

High/low flame. Selection controlled originally by switch attached to thermostat pendulum, latterly by electric type thermostat in roasting oven.

New style Aga nameplate on panel above combustion chamber door.

Fuel - Commercial Kerosene 28 secs.

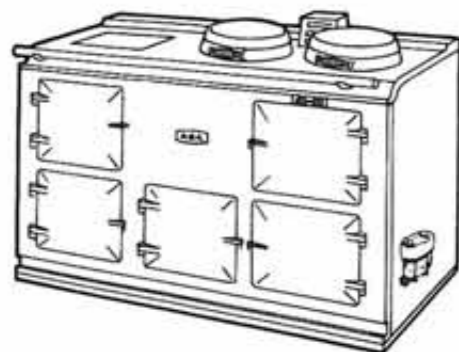




Model OC and OCB Cookers 1964-Present

Introduced in 1964. Oil fired cookers of the same styling as the Solid fuel De Luxe Models.

- Available in cream, white, pale blue, grey and pale green with red, dark blue, black and yellow from March 1968. Pale green and yellow withdrawn 1971. Grey, pale blue and black withdrawn 1975.
- Fitted with Don 6" vapourising burner. 1995 Onwards - Aga's own burner.
- High/low flame. Selection controlled by switch attached to thermostat pendulum, later by electric type thermostat with sensor in roasting oven and control dial positioned behind burner outer door, using 12 volt circuit provided by separate transformer unit. Integral transformer/Plug introduced 1995.
- Model OCB (90) provides 90 gallons domestic hot water daily.
- Model OCB (135). Larger boiler introduced May 1971 - 135 gallons hot water daily.
- Restyled flat top plate, burner chamber outer door with louvre oven doors with asbestos rope seal, latterly, ceramic seatings and new handrail brackets introduced May 1974.
- Fuel - Commercial Kerosene 28 secs.



Model OE and OEB

Similar to the above models with the addition of two left hand ovens.

- Supplied with separate LH and RH top plates and handrails from November 1975.
- Combined handrail 1995 onwards.

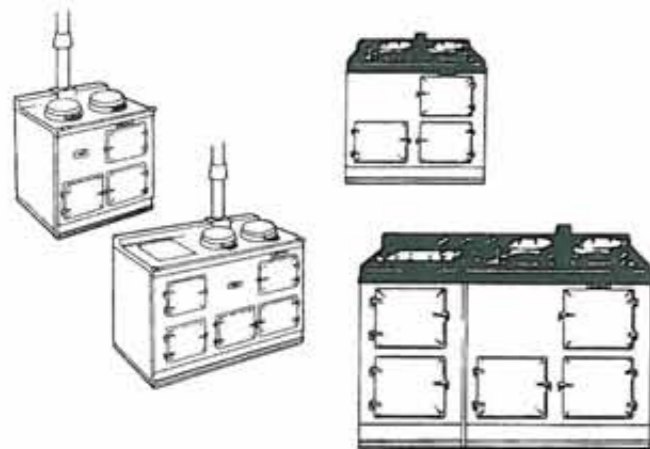
Agamatic CK 65 Boiler 1967-1968

An oil fired Agamatic boiler styled to match the De Luxe model Aga oil fired cookers.

Supplied in limited quantity between August 1967 and July 1968.

- Fully automatic boiler for combined heating and domestic hot water or heating only.
- Rating - 65,000 Btu/h max.
- Fitted with Landon Kingsway 8" Gyro-Pak burner with electrode spark ignition.
- Boiler made of welded mild steel water jacketed on all sides with trapezoidal waterways above burner fitted with refractory inserts in flueways to extract maximum heat from fuel burned.
- Fuel - Commercial Kerosene 28 secs.





Model GC and GCB Cookers (Open Flue) 1968 - Present

(MK1) First produced March 1968. Gas fired cookers of the same styling as the De Luxe models.

- Colours: Red, dark blue, dark green, yellow and black in addition to cream, white, pale blue, pale green and grey. Yellow and pale green withdrawn 1971. Grey, pale blue and black withdrawn February 1975.
- Fitted with universal burner suitable for conversion.
- Towns/Natural gas. Burner also available for LP gases.
- Control with Teddington TBH/C thermostat with sensor in roasting oven modulating burner flame according to cooker temperature.
- Burner fitted with flame failure device.
- Original model supplied with draught diverter for fitting in flue pipe. Later moved on to top plate.
- Model GCB provides 90 gallons domestic hot water daily.
- Restyled flat top plate, new handrail brackets, oven doors with asbestos rope seal seatings and diverted fitted to flue outlet.
- 1988 Burner design changes to Junkers Controls. Town gas and Butane versions deleted.
- 1993 Burner design changes to S.I.T. Controls (MK3).

Model GE and GEB

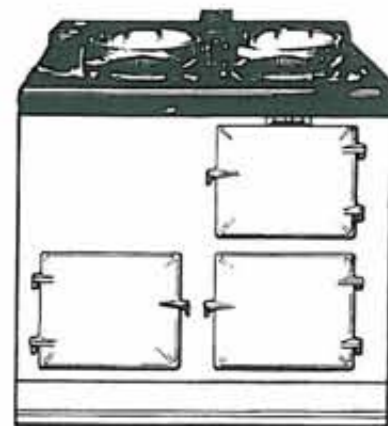
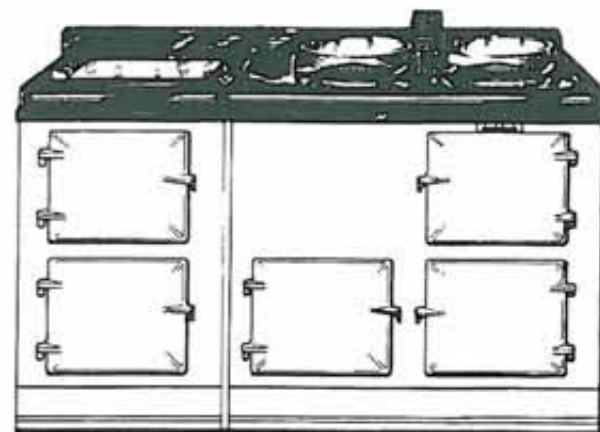
Similar to the above models with the addition of two left hand ovens.

- Supplied with separate LH and RH top plates and handrails from November 1976.
- Combined handrails 1995 onwards.

Model GC, GCB, GE, GEB (Balanced Flue) 1968 - Present

Introduced March 1968.

- Suitable for Town Gas (up to 1988) LPG and Natural Gas.
- Burner design and controls upgraded in line with Open Flue Models (1988, 1993).
- Flue terminal originally rectangular, then concentric (1974).
- Concentric flue terminal suitable for:-
 - 9-14" Wall Thickness
 - 14-24" Wall Thickness
 - (Since withdrawn) 24-36" Wall Thickness
- Oven venting by natural draught up to 1990.
Fan assisted 1990 - .





Agamatic G55/65 Boiler 1968-1996

A gas fired Agamatic boiler styled to match the De Luxe model Aga gas fired cookers.

First introduced 1968

- Range rated 55,000 - 65,000 Btu/h per hour.
- Control box incorporating sockets for mains supply, pump, time switch or programmer and room thermostat.
- Universal 9 1/2" long Aeromatic burner fitted with Honeywell V4292 electric one piece gas valve and glowcoil ignition. Subsequent modifications to burner and controls.
- Available for standard and balanced flue application.
- Cast iron boiler sections.
- Honeywell push button gas valve and Piezo spark ignitor incorporated 1974.
- Restyled top plate and handrail brackets incorporated May 1974.

Agamatic OF60 Boiler 1971-1976

An oil-fired Agamatic boiler styled to match the De Luxe model Aga oil fired cookers.

Introduced October 1971.

- Rating 60,000 Btu/h max.
- Specification in many respects the same as the Agamatic CK65 boiler.
- Fitted with Landon Kingsway 8" Gyro-Pak fan pressurised burner incorporating low tension coil ignitor and Teddington DAS/CA/1 Electric Control Unit.
- Fuel - Commercial Kerosene 28 secs.
- Restyled top plate and new handrail brackets incorporated May 1974.





Model EL2 Cooker 1975-1977

First produced in November 1975. A two oven electric cooker in new styling.

- Colour: White with white splashback in white, red, dark blue green, orange or chocolate.
- Weight: 762 Kg (15 cwts.).
- Fitted with special ferrous oxide heater core (800lbs) with 16 ceramic housed elements totalling 6 Kw at 240v.
- Designed to take white meter off-peak 8-hour nominal charge overnight.
- Both hot plates and top oven heated by forced hot air circulated through the heater core by fan and continuously ducted around oven and hotplates. Fan controlled by oven thermocouple.
- Fitted with hood incorporating carbon filters on manual control to extract from ovens and hot plates. Ovens vented into hood. Cooker controls mounted on fascia.

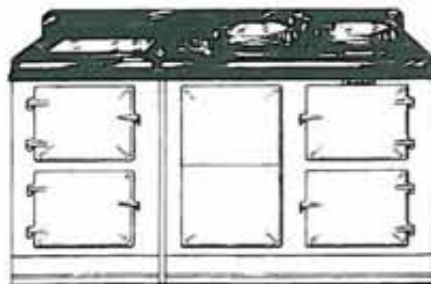
Agamatic P.60 Boiler 1976-1996

An oil fired boiler to match the De Luxe model Aga oil fired cookers.

First produced December 1976.

- A pressure jet boiler for heating and indirect hot water supply.
- Heat output - 17.6 Kw. 60,000 Btu/h.
- Fuel - Commercial Kerosene 28 secs.





Model AEC2 and AEC4 1985 - Present

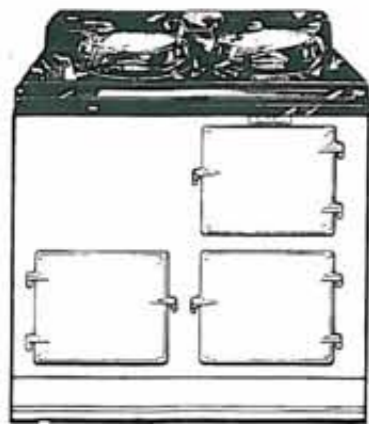
The Electric Cooker was re-introduced in October 1985. Being styled as a traditional Aga.

- Available in standard enamel colours.
- Cooking only.
- Fitted with special ferrous oxide heater core (800lbs) with 14 ceramic housed elements totalling 6 Kw at 240V.
- Designed to accept cheap rate off-peak electricity with boost facility at peak rate.
- Both hotplates and top oven heated by forced hot air circulated through the heater core by fan and continuously ducted around oven and hotplates. Fan controlled by oven thermocouple.
- Oven venting achieved by small indirect electric fan piped to outside.
- Control panel mounted external to cooker adjacent wall incorporating clock and minute minder.
- In 1990 cooker was modified:-
 1. Control panel now housed in cooker without clock and minute minder.
 2. Oven vent fan now located on outside wall.
- Single phase for UK Market.
With special 3 phase version for export.

Premier Boiler 1994 - 1996

- Available in oil and gas versions.
- Boulter Boiler in Agamatic style case for linking to Parent Aga.
- Conventional flue only.
- Outputs ranging from 70,000 - 175,000 Btu/h.
- Pressure jet oil or forced draught gas burners.

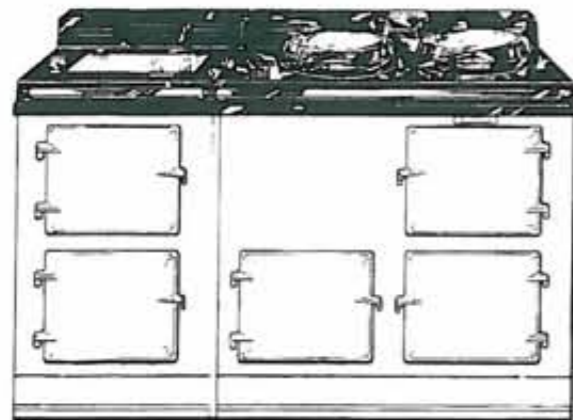




Model GC and GCB and GE (Power Flue) 1996 - Present

Introduced 1996.

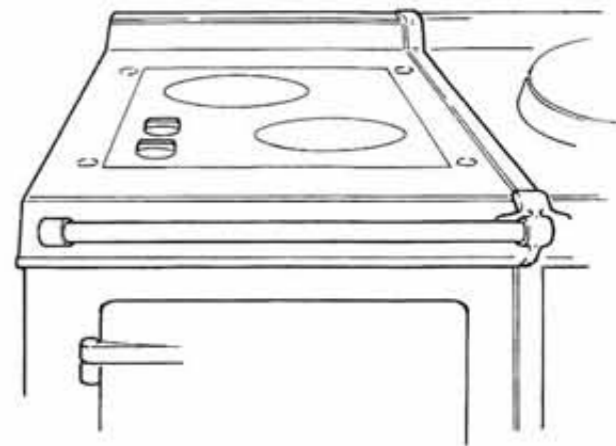
- Available in standard colours.
- Available in Natural Gas and L.P.G.
- 50mm plastic coated stainless steel flue pipe used, which can be routed through a number of configurations to outside atmosphere.
- Electric fan for flue discharge also provides oven venting.



Hob Option 1997 - Present

Traditional Hot Cupboard (all fuels) can be supplied with 2 rapid response electric plates in a ceramic hob in place of the warming plate.

Also available in retro-fit form for installation into existing Post 1974- cookers or into a work surface.



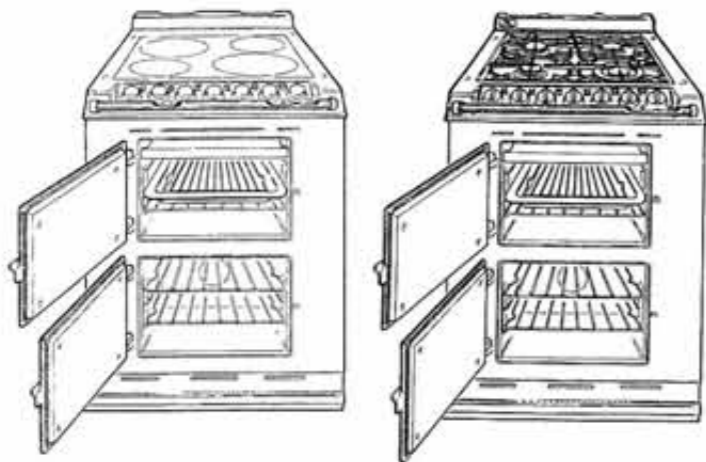


Module and Companion

Electric Hob 1996 - Present

Gas Hob 1998 - Present

- Traditional Aga styling.
- Intended for linking to Parent Aga (Module) or as a freestanding appliance (Companion).
- Conventional oven and grill unit electrically heated.
- Fan assisted electric oven.
- Ceramic hob incorporating 4 rapid response electric plates.
- Alternative hob option available with 4 gas burners both Natural Gas and L.P.G. variants.



Styling Variants and Options - All Cookers

- Insulating lids spring assisted on all cookers - 1995
- Gold plating option for chrome fittings available - 1995
- Option of vitreous enamelled cast iron lids available - 1995
- Option of Aga badge in Italic Script - 1995
- Warming plates changed from aluminium to hard anodised (all cookers) - 1995
- Hot cupboard top plates now overlap main cooker eliminating separate jointing strip - 1995
- Hot cupboard and main cooker handrails joined with common centre bracket
- Hot cupboard construction changed to aludip steel and mild steel base plate - 1997.