

Turning your Aga off - Electric

If you are going to be away from home just for a few days, then there is really no need to do anything to your electric Aga.

Recent 13amp models incorporate the Aga Intelligent Management System (AIMS), which permit a holiday mode setting.

For older models, if you wish, the oven temperature control can be turned down to a lower setting. On early 30amp off-peak models fitted with a separate core temperature control knob, this is best left at its normal setting and certainly not turned lower than number.5, otherwise peak charging may occur.

For longer periods of absence the Aga can be shut down completely, by switching **all** external switches off.

For cookers with time-clocks controlling the cheap rate periods, these may need resetting. Please contact your Aga service engineer for assistance.

Turning your Aga off - Gas Mk 1 Burner

Refer to the sketch below to identify the various controls.

If your Aga is only to be left for a few days, why turn it off? It doesn't hurt to leave it on a lower thermostat position.

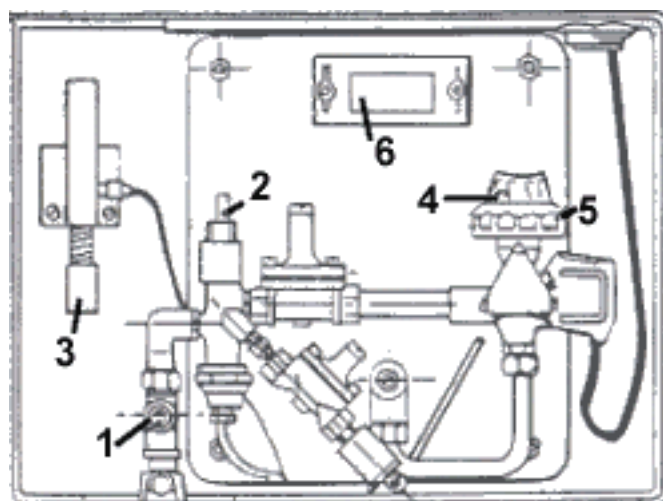
For longer periods the pilot only may be left on as follows:

Turn the black control tap '4' (located in the centre of the numbered ring) through 90 degrees, until the finger grip is at right angles, i.e across the gas pipe.

To turn it off completely:

Carry out the above and then turn the main control cock '1' through 90 degrees, so that the line on the cock, is across the pipe.

This turns both pilot and main burner off.



Turning your Aga off - Gas Mk 2 Burner

Refer to the sketch below to identify the various controls.

If your Aga is only to be left for a few days, why turn it off? It doesn't hurt to leave it on a lower thermostat position.

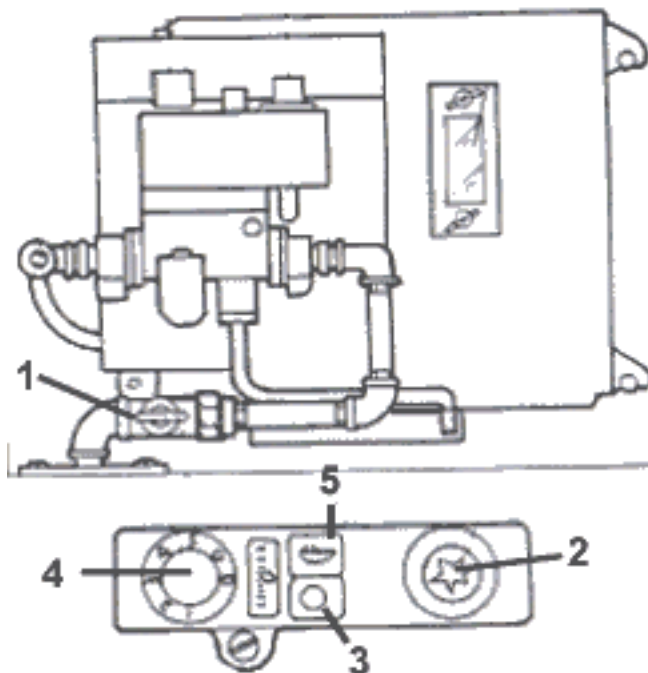
For longer periods the pilot only may be left on as follows:

Turning the thermostat knob '4' clockwise to the '0' position.

To turn it off completely:

1. Carry out the above and then press and release the button '3' marked with an '0' symbol.
2. Turn the main gas cock '1' through 90 degrees, until the line marked on the cock, is across the gas pipe.

This turns both pilot and main burner off.



Turning your Aga off - Gas MK3 Burner (SIT)

Refer to the sketch below to identify the various controls.

If your Aga is only to be left for a few days, why turn it off? It doesn't hurt to leave it on a lower thermostat position.

If your Aga is fitted with the Aga intelligent management System (AIMS) you can program it for a holiday period.

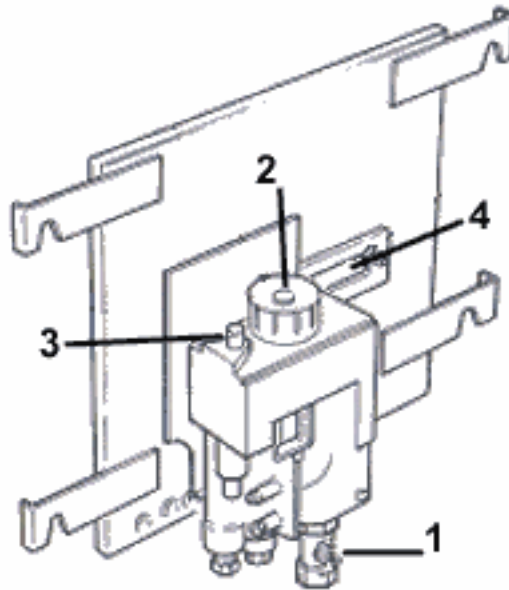
For longer periods the pilot only may be left on as follows:

Turning the control knob '2' clockwise to the 'white band' position.

To turn it off completely:

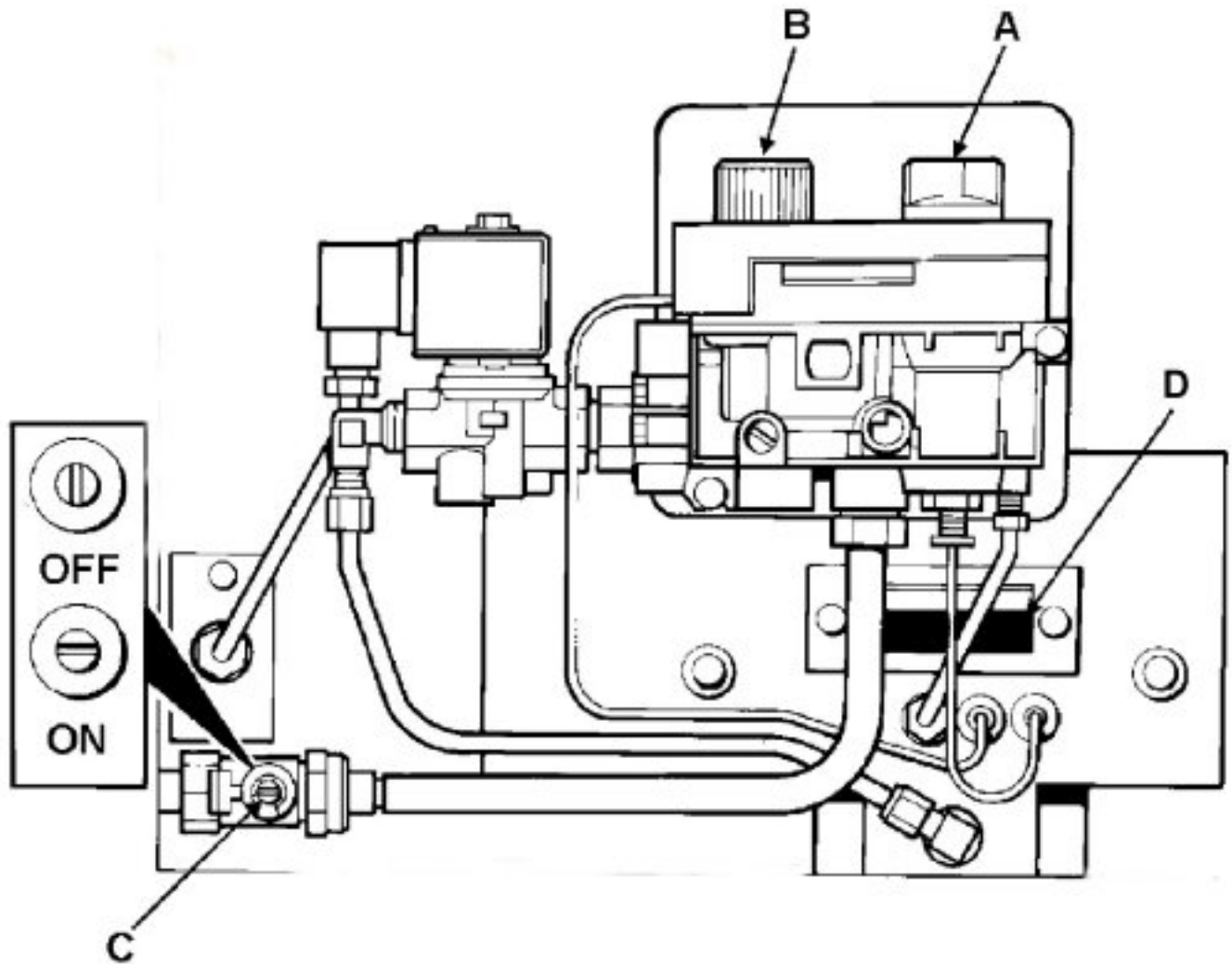
1. Turn the control knob clockwise to the 'black dot' position.
2. Turn the main gas cock '1' through 90 degrees, until the line marked on the cock, is across the gas pipe.
3. If your cooker has an electricity supply, this should be turned off as well.

This turns both pilot and main burner off.



Turning your Aga off - Gas MK3 Burner (Maxitrol)

This type of arrangement may also have been fitted on some older Mk 1 cookers, in which case the actual position of the controls may vary slightly.



Refer to the sketch above to identify the various controls.

If your Aga is only to be left for a few days, why turn it off? It doesn't hurt to leave it on a lower thermostat position.

If your Aga is fitted with the Aga Intelligent Management System (AIMS) it can be set for a holiday mode.

For longer periods the pilot only may be left on as follows:

Either switch off the electricity supply to the Aga (where provided) or turn knob 'B' to position '1'

To turn it off completely:

1. Turn the control knob 'A' clockwise to the 'OFF' position.

2. Turn the main gas cock '1' through 90 degrees, until the line marked on the cock, is across the gas pipe.

3. If your cooker has an electricity supply, this should be turned off as well.

This turns both pilot and main burner off.

Turning your Aga off - Oil

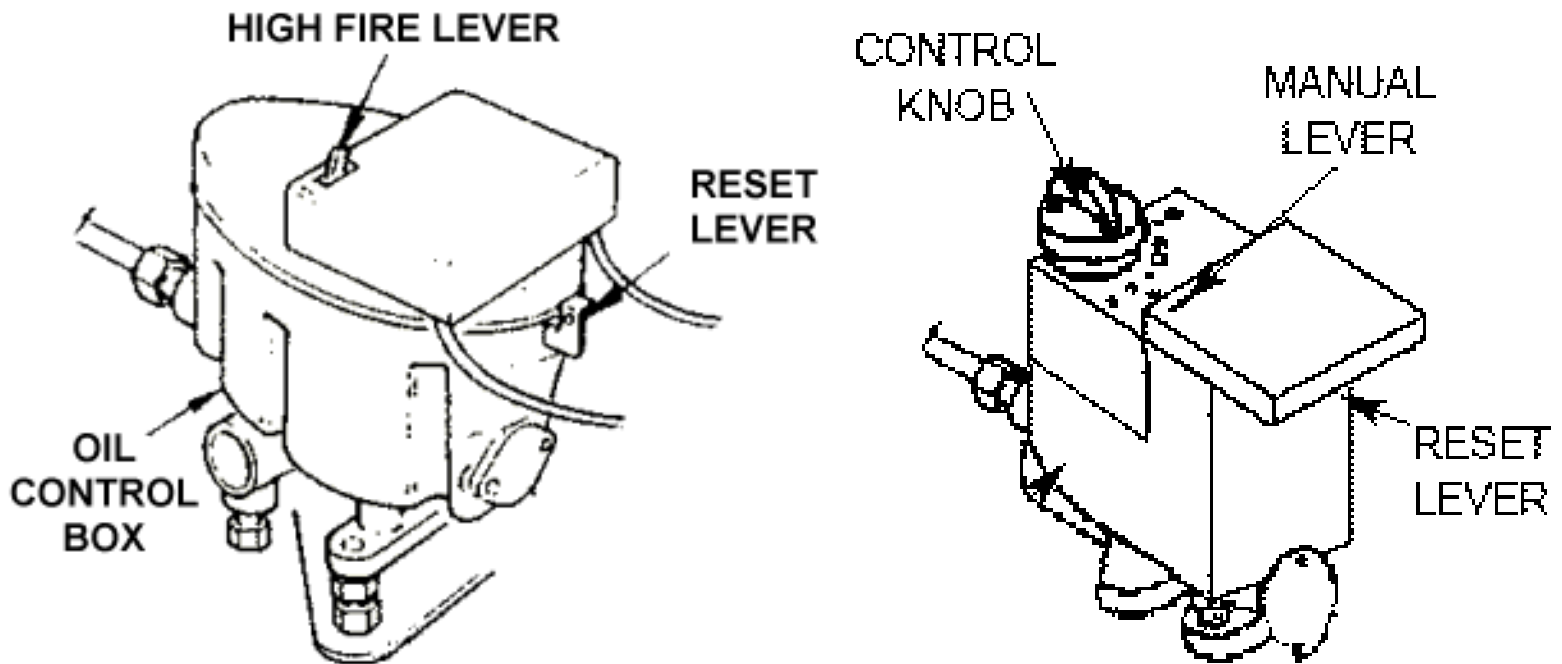
Kerosene models (2 and 4 oven)

If your Aga is only to be left for a few days, why turn it off? It doesn't hurt to leave it on low fire rate, either by turning the thermostat to a lower position, or by switching off the electricity supply.

For longer periods, identify the type of control valve fitted to your Aga. Either lift the reset lever on the oil control valve upwards until it clicks and then release it, or turn the control knob to the 'O' position. The burner will take several minutes to die down and extinguish.

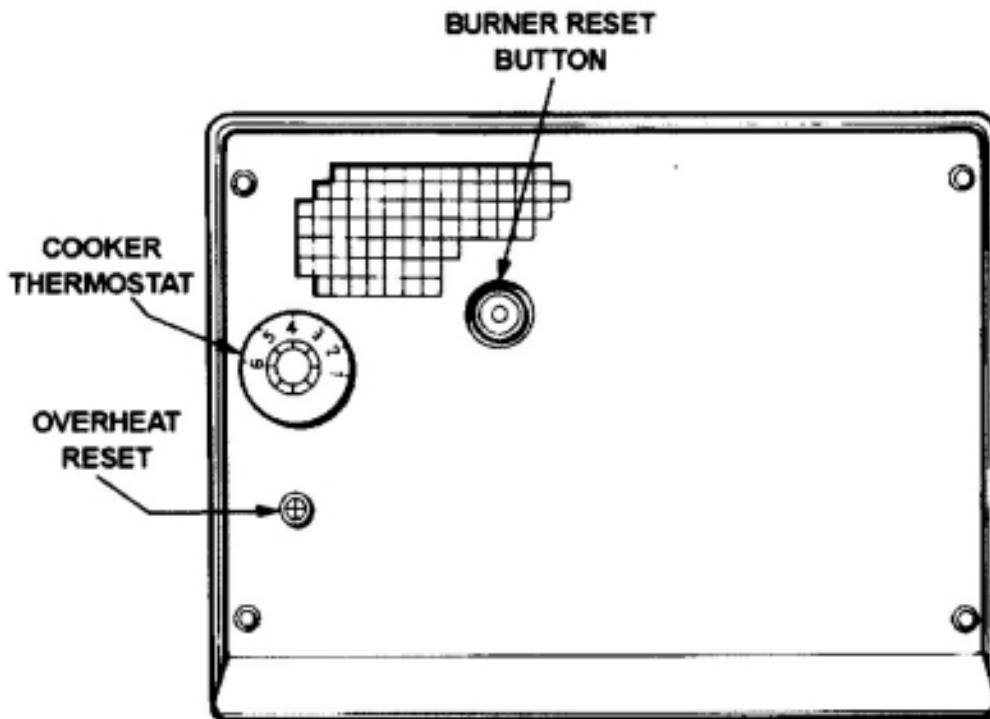
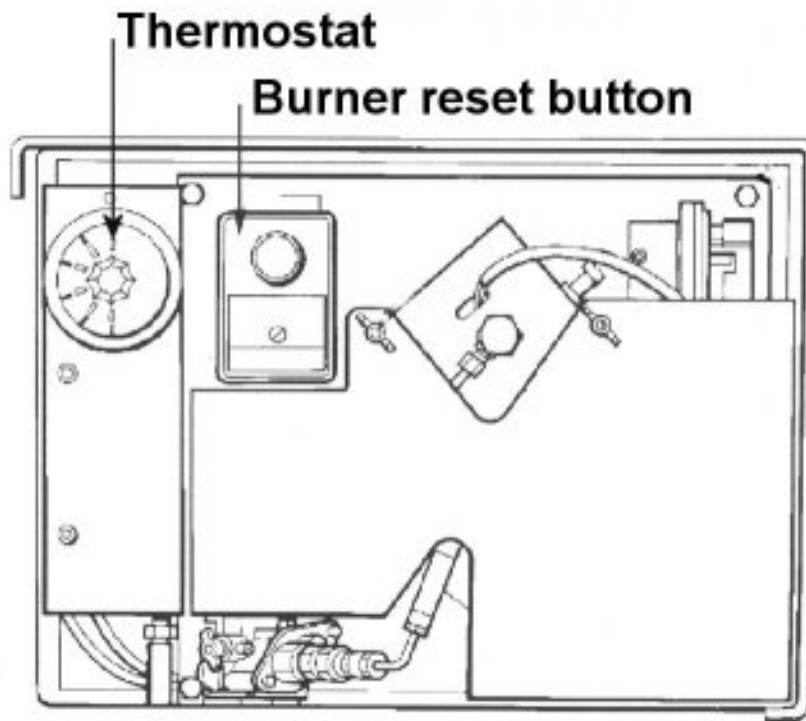
Turn the incoming oil supply off at the service valve, either at the storage tank, or at the point where the oil line enters the property.

Remember. Never try and re-light a burner which is still hot.



Diesel (gas-oil) and 3 Oven Kerosene models

If your Aga is only to be left for a few days, why turn it off?, it doesn't hurt to leave it on, by turning the thermostat to a lower position.



For longer periods, switch off the electricity supply and turn the incoming oil supply off at the service valve, either at the storage tank, or at the point where the oil line enters the property.